



Analygas® Systems Models 20 and 20B are multipoint versions of our highly successful Model 21 Gas Monitor.

These units protect people, produce and machinery from excessive concentrations of gases and vapours. They are particularly suited to operation in unattended locations such as machine rooms and parking garages.

For more information, please see reverse of this brochure.

KEY FEATURES

Reliable Broad Band Sensors

Fully Modular System (Up to 20 sensing points in 10 detection zones)

Visual and Audible Alarms

Output Relays

Easy to install

Analygas® Systems Models 20 and 20B are wall mounted gas monitors for use in non-hazardous indoor locations and housed in rugged steel enclosures.

The Model 20 has up to 10 independent channels, each of which may be fitted with 1 or 2 remote sensors.

The Model 20B is a scaled down version having 1 or 2 channels.

Channels can be configured to detect different gases and each is designed with 2 alarm levels, allowing flexible control of beacons, horns, fans, etc.

Dry contact relays are included to control ventilation fans or permit activation of other auxiliary equipment.

To reduce unnecessary fan cycling, these units are equipped with electronic timers, which delay the action of alarms and relays.

Models 20 & 20B are both ideal for use in parking garages, loading docks, battery charging areas or any indoor location requiring multipoint gas detection.

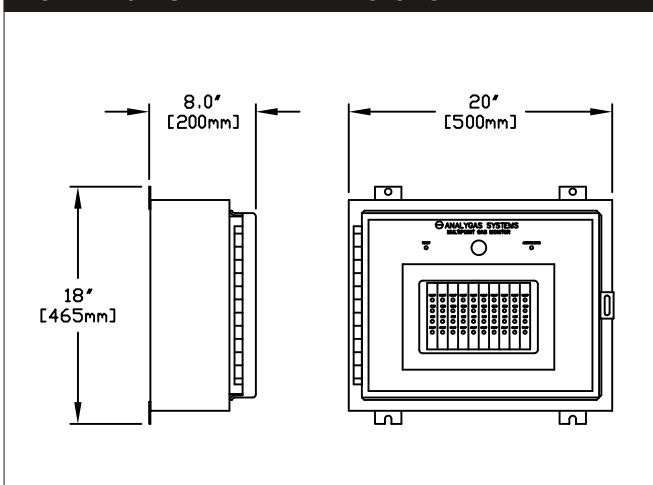
SPECIFICATIONS

- Solid State Sensors
- Up To 20 Sensing Points
- LED Alarm Lights
- 120V or 240V Input, 200VA
- 1 Output Relay Per Point
- 1 Common Output Relay
- Operating Temperature
 - 40 C to 40 C
 - 40 F to 104 F

GASES DETECTED

- Ammonia
- Halocarbons
- Carbon Monoxide
- Hydrogen
- Methane
- Propane
- Others (Consult Factory)

MODEL 20 - GENERAL DIMENSIONS



MODEL 20B - GENERAL DIMENSIONS

